

KEY TO INSTRUMENTATION

- ETC SOURCE 4 19° 575w
- ETC SOURCE 4 26° 575w
- ETC SOURCE 4 36° 575w
- ETC SOURCE 4 50° 575w
- ETC COLORSOURCE 36°
- 6° FRESNEL 750w
- ETC SOURCE 4 PAR MFL 575w
- ETC SOURCE 4 PAR NSP 575w
- PAR64 NSP 1kw
- FLOWN PRACTICAL 72w
- PAR 16 BIRDIE EYC 50w
- F100 FOG MACHINE
- RADIANCE HAZER
- CUSTOM DRY ICE MACHINE

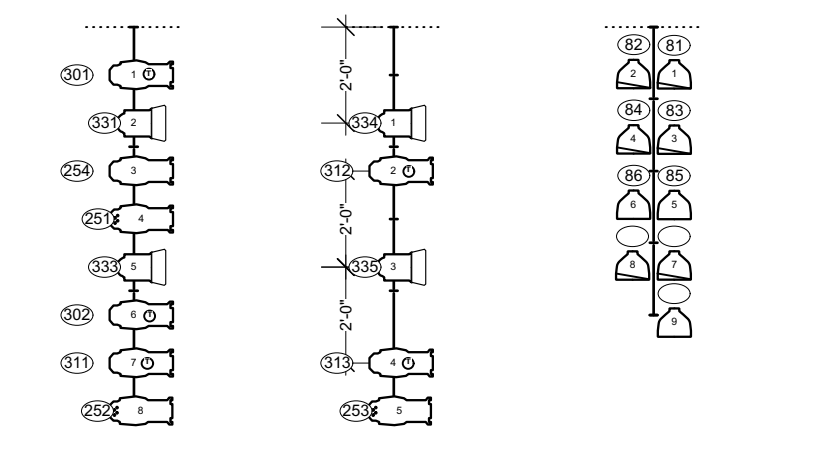
ETC 3-CIRCUIT STRIPS

- MR-16 ZIPSTRIP EYC 750w / CIRCUIT

TYPICAL NOTATION

- Wire Number
- Wire Name
- Channel Number

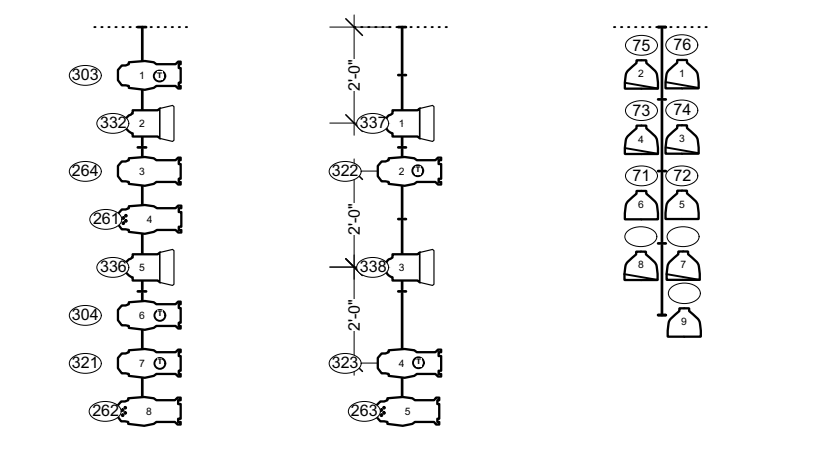
REV A	PLOT WITH SCENERY	1/11/18
REV B	ROUGH PLOT	1/12/18
REV BT	ROUGH PLOT REVISION	1/28/18
REV C	SUBMISSION TO ELECTRICS	2/2/18
REV C1	SBU TO ELECTRICS REV	2/8/18
REV	REVISION	DATE
REV	REVISION	DATE
REV	REVISION	DATE
REV D	POST FOCUS	2/21/18



SL Taildown #1
Units hung in 1'-0" increments unless otherwise noted. All dimensions are from grid.

SL Taildown #2
Units hung in 1'-0" increments unless otherwise noted. All dimensions are from grid.

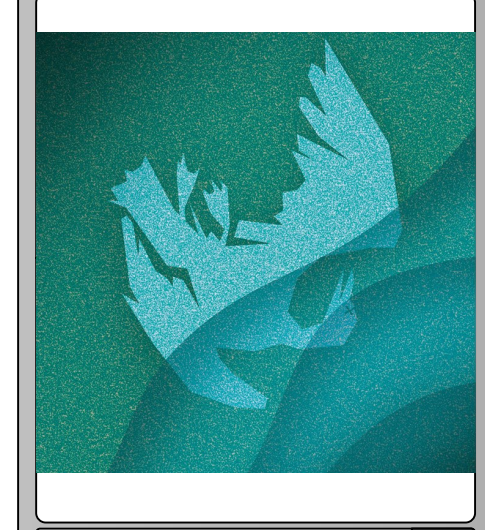
SL Taildown #3
Units hung as close to grid as possible while still leaving room for focus.



SR Taildown #1
Units hung in 1'-0" increments unless otherwise noted. All dimensions are from grid.

SR Taildown #2
Units hung in 1'-0" increments unless otherwise noted. All dimensions are from grid.

SR Taildown #3
Units hung as close to grid as possible while still leaving room for focus.



NOORDA THEATRE
UTAH VALLEY UNIVERSITY

DEPARTMENT OF THEATRICAL ARTS PRESENTS SEAGULL

Directed by: Jeremy Sortore
 Lighting by: Matt Taylor
 Asst. LD: Colin Skip Wilson
 2nd Asst. LD: Carter Christensen
 Production Electrician: Aaron Gubler
 Master Electrician: Tyler Scott Mitchell
 Scenery by: Arnee Finley Moore
 Costumes by: La Beane

DEPARTMENT OF THEATRICAL ARTS
 Chair: Dr. Lisa Holt-Hagan
 Head of Lighting: Matt Taylor
 Lighting & Sound Supervisors: Molly Tiede, Drew Belinski

Matt Taylor L.D. 10582
 10304 N Morgan Blvd.
 Cedar Hills, UT 84062
 (801) 864-6300-7938

The drawing represents visual concepts and construction suggestions only. It does not replace the knowledge and advice of a licensed structural engineer. The designer is unqualified to determine the structural appropriateness of the design and will not assume responsibility for improper engineering or use.

SCALE: 1/4" = 1'-0" PLATE
 DRAWN BY: CSW
 CREATED: January 1, 2018
 REVISED: 2/21/18 9:37:07 PM
 FILE: seagullrevb1.vwx